

Inground Basketball System

Instruction Manual



SAFETY INSTRUCTIONS



Owner must ensure that all players know and follow these rules for safe operation of the system.

To ensure safety, do not attempt to assemble this system without following the instructions carefully. Check entire box and inside all packing material for parts and/or additional instruction material. Before beginning assembly, read the instructions and identify parts using the hardware identifier and parts list in this document. Proper and complete assembly, use, and supervision are essential for proper operation and to reduce the risk of accident or injury. A high probability of serious injury exists if this system is not installed, maintained, and operated properly.

- If using a ladder during assembly, use extreme caution.
- Two (2) capable adults are recommended for this operation.
- Climate, corrosion, or misuse could result in system failure.
- Minimum operational height is 6' 6" (1.98 m) to the bottom of backboard.
- Read and understand the warning label affixed to pole.
- The life of your basketball pole depends on many conditions. The climate, placement of the pole, location of the pole, exposure to corrosives such as pesticides, herbicides, or salts are all important.
- Adult supervision is recommended when adjusting height.



WARNING

Read and understand warnings listed below before using this product.

Failure to follow these warnings may result in serious injury and/or property damage.

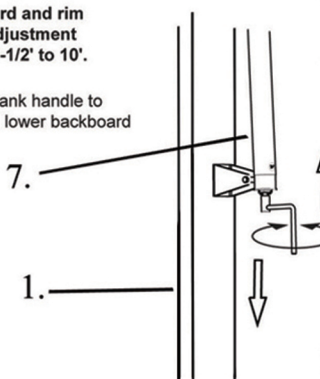
Owner must ensure that all players know and follow these rules for safe operation of the system.

- DO NOT HANG on the rim or any part of the system including backboard, support braces or net.
- During play, especially when performing dunk type activities, keep player's face away from the backboard, rim and net. Serious injury could occur if teeth/face come in contact with backboard, rim or net.
- When adjusting height or moving system, keep hands and fingers away from moving parts.
- Do not allow children to move or adjust system.
- During play, do not wear jewelry (rings, watches, necklaces, etc.). Objects may entangle in net.
- Check pole system for signs of corrosion (rust, pitting, chipping) and repaint with exterior enamel paint. If rust has penetrated through the steel anywhere, replace pole immediately.
- Check system before each use for proper ballast, loose hardware, excessive wear and signs of corrosion and repair before use.
- Check system before each use for instability.

HEIGHT ADJUSTMENT

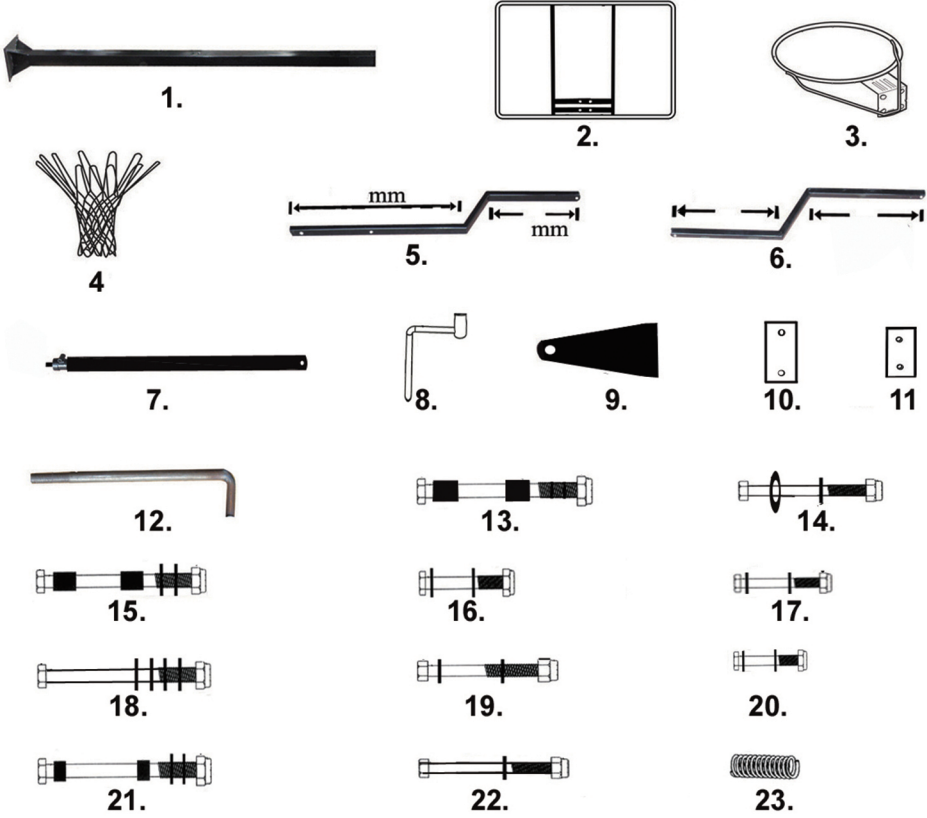
Backboard and rim height adjustment is from 7-1/2' to 10'.

Rotate crank handle to raise and lower backboard

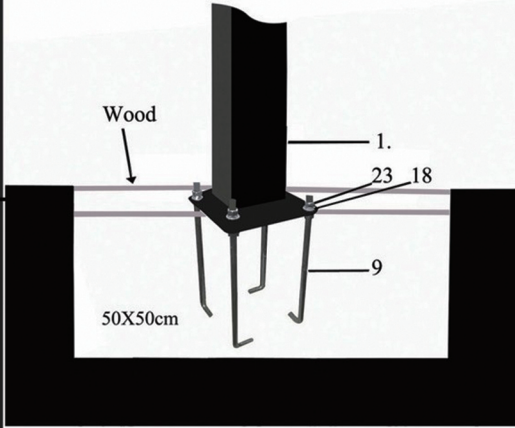


PARTS LIST

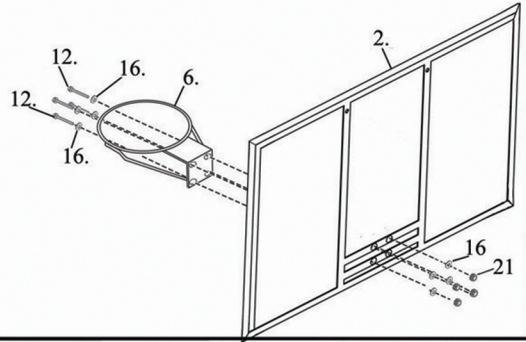
<i>Item</i>	<i>Qty.</i>	<i>Description</i>	<i>Item</i>	<i>Qty.</i>	<i>Description</i>
1	1	Main Pole	13	1	Bolt, M12 X 180mm
2	1	Backboard	14	2	Bolt, M8 X 110mm
3	1	Rim	15	1	Bolt, M8 X 180mm
4	1	Net	16	4	Bolt, M12 X 60mm
5	1	Lower Elevator Tube	17	1	Bolt, M8 X 70mm
6	1	Upper Elevator Tube	18	1	Bolt, M12 X 180mm
7	1	Screw-Jack Assembly	19	2	Bolt, M10 X 120mm
8	1	Crank Handle	20	2	Bolt, M8 X 40mm
9	1	Pole Mount Bracket	21	1	Bolt, M12 X 180mm
10	1	Reinforcement Plate	22	2	Bolt, M8 X 130mm
11	1	Reinforcement Plate	23	2	Spring
12	4	Ground Bolt			



- ① Dig a pit at selected ground with suggested dimension of 50x50cm, put ground bolts(9) inside as shown. Fill the pit with concrete. Take the main pole away (1) only for basketball system assembly after the concrete is set.

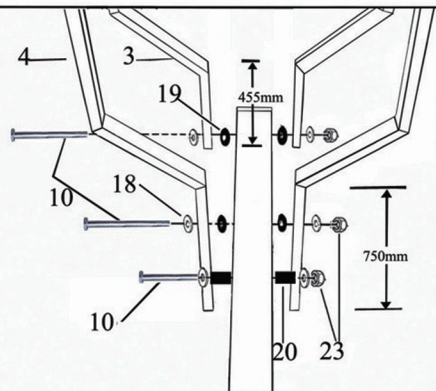
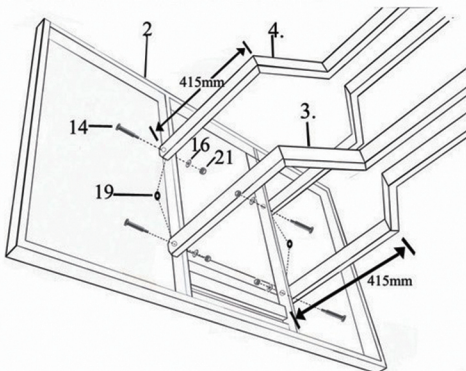


- ② Assemble backboard (2) and ring(6) by bolt (12), washer(16) and nut (21) as shown

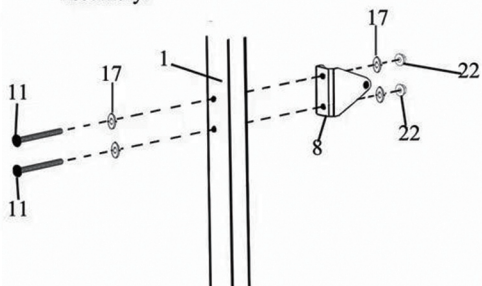


- ④ 1. Attach lower elevator tube (3) and upper elevator tube (4) to main pole (1) by 2pcs M12x180mm bolts (10), washer (18), nut (23) and spacer (19) as shown.
2. Fix 1pc of M12x180mm bolt (10), washer (18), nut (23) and spacer (20) on the main pole section(1) below the lower elevator tube (3) as shown. This is for hold the lower elevator tube (3) at the lowest height.

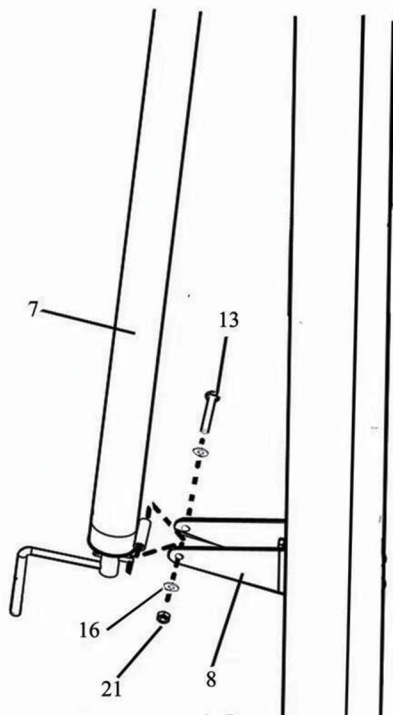
- ③. Attach lower elevator tube (3) and upper elevator tube (4) on backboard (2) by T-shaped bolt(14), washer(16) and nut(21) as shown. Rubber spacer(19) must be put between elevator tubes and backboard and backboard frame as shown.



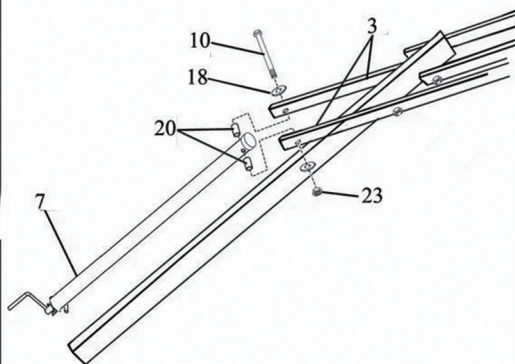
5. Install the pole mount bracket (8) in the middle hole on the main pole (1) by bolt (11), washer (17) and nut (22) as shown, make sure the pole mount bracket (8) is at the back of the main pole (1) for other assembly.



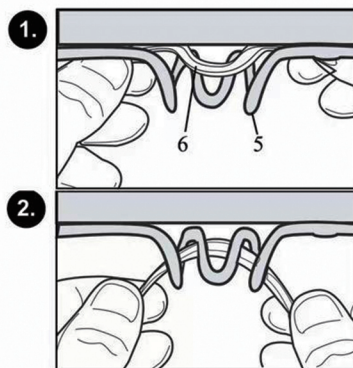
6. Attach the screw jack assembly (7) to pole mount bracket(8), using bolt(13), washer(16) and nut (21) as shown.



7. Install the screw-jack assembly (7) to lower elevator tube (3) by bolt (10), washer (18), nut (23) and rubber spacer (20). as shown.



8. Install net (5)



9. Finally, install whole assembled basketball system to the ground bolt (9) at the ground, tighten all the nuts on bolts.